

## SPECIFICATIONS

Model Number	Nominal Capacity, Btu/hr [kW]	Sound level*, dB	Electrical Data					Refrigerant		Approx. Shipping Weight, lb [kg]	
			Min. Circuit Ampacity	Max. Fuse/Circuit Breaker	Voltage	Hz	Phase	Amps @230V	Type		Charge, lb. [kg]
UCHR-036-1-1-P	36,000 [10.6]	69	29.1	45	208/230	60	1	19	R-22	5.1 [2.3]	310 [141]
UCHR-060-1-1-P	60,000 [17.6]		41.7	60						7.9 [3.6]	340 [154]

\* Sound measurement taken at 3feet from the front of the unit.

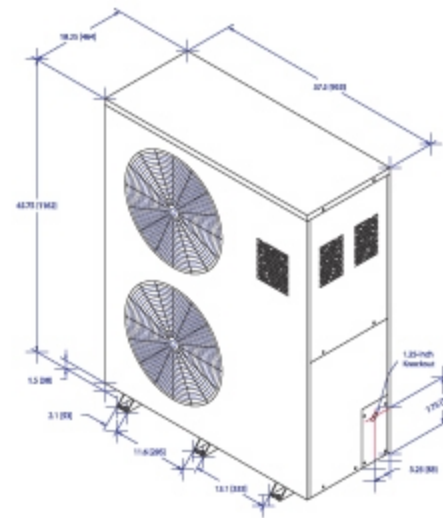
Model Number	Pump Data					Other Data			
	Min Req. Flow Rate, GPM [L/s]	Max Flow Rate, GPM [L/s]	Head Press at Min. Flow Rate*, ft. water [kPa]	Pump Size, HP [W]	Pump Speed, RPM	Supply Water Temp, °F [°C]	Min. System Volume, Gal. [L]	Approx. Chiller Volume, Gal. [L]	Minimum Expansion Tank Size**, Gal. [L]
UCHR-036-1-1-P	7.2 [0.6]	14	50 [149.5]	[560]	3450	44 [6.7]	25 [95]	1.0 [3.8]	1.0 [3.8]
UCHR-060-1-1-P	12 [0.9]	[0.9]	45 [134.5]	1-1/3 [1007]					

\*Evaporator pressure drop is included. \*\* Not included, field installed.

## COOLING PERFORMANCE

Model	Performance***									
	Outside Temperature	UCHR-036-1-1-P				UCHR-060-1-1-P				
		Capacity	Power Input	Efficiency		Capacity	Power Input	Efficiency		
°F [°C]	Btu/hr [kW]	W	EER [COP]	EER [COP]	Btu/hr [kW]	W	EER [COP]	EER [COP]		
82 27.8	36,200 10.6	3300	11.0 3.2	56,700 16.6	4790	11.8 3.5				
95 35.0	33,900 9.9	3820	8.9 2.6	52,600 15.4	5460	9.6 2.8				
100 37.8	33,000 9.7	4040	8.2 2.4	50,800 14.9	5750	8.8 2.6				
105 40.6	32,100 9.4	4270	7.5 2.2	48,900 14.3	6060	8.1 2.4				
110 43.3	31,100 9.1	4520	6.9 2.0	46,800 13.7	6380	7.3 2.1				

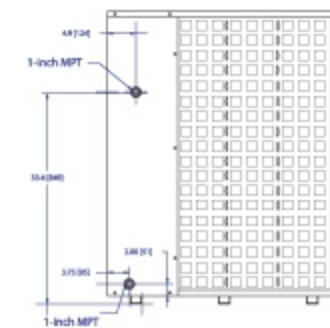
\*\*\* Based on compressor data. At 44°F leaving water temperature and minimum required flow rate.



## HEATING PERFORMANCE

Model	Performance***									
	Outside Temperature	UCHR-036-1-1-P				UCHR-060-1-1-P				
		Capacity	Power Input	Efficiency		Capacity	Power Input	Efficiency		
°F [°C]	Btu/hr [kW]	W	EER [COP]	EER [COP]	Btu/hr [kW]	W	EER [COP]	EER [COP]		
10 -12.2	25,800 7.6	3310	7.8 2.3	36,100 10.6	4630	7.7 2.3				
17 -8.3	27,100 7.9	3320	8.2 2.4	38,100 11.2	4660	8.2 2.4				
33 0.6	30,900 9.1	3330	9.3 2.7	43,900 12.9	4750	9.2 2.7				
47 8.3	35,300 10.3	3340	10.6 3.1	50,900 14.9	4830	10.5 3.1				
55 12.8	38,600 11.3	3340	11.6 3.4	56,000 16.4	4880	11.5 3.4				
65 18.3	43,800 12.8	3340	13.1 3.8	63,700 18.7	4940	12.9 3.8				

\*\*\* Based on compressor data. At 120°F leaving water temperature and minimum required flow rate.



**The Unico System®**

MINI-DUCT CENTRAL HEATING & AIR CONDITIONING

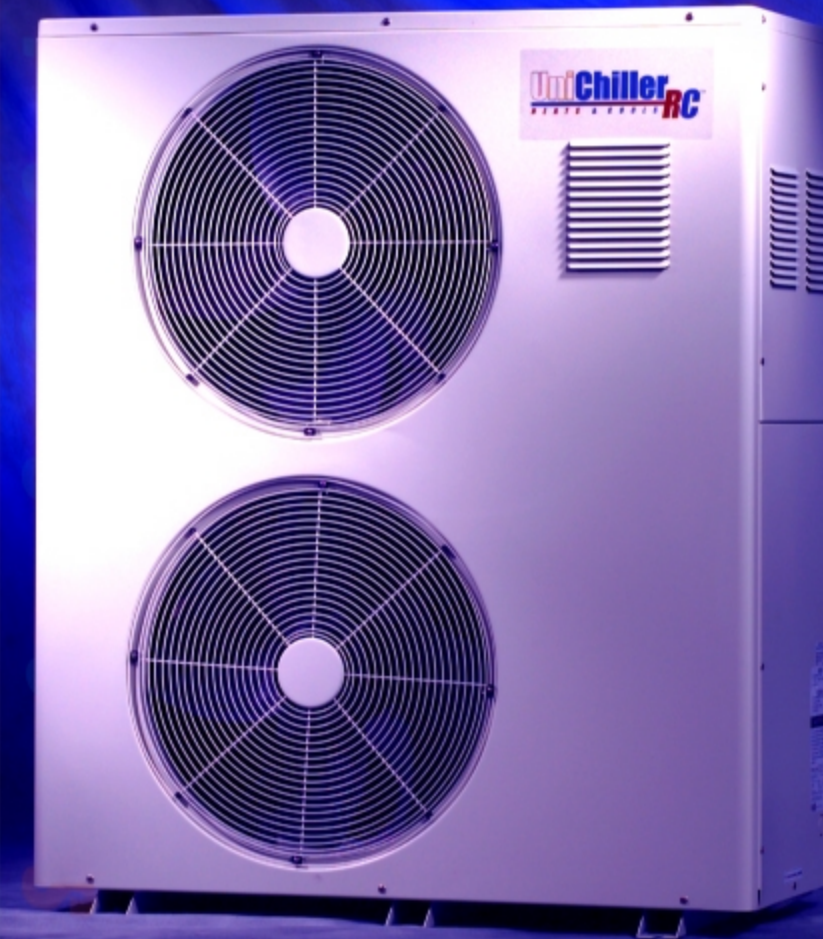
1-800-527-0896 WWW.UNICOSYSTEM.COM

©2004 Unico, Inc. 7401 Alabama, St. Louis, Missouri 63111 (314)481-9000

The Unico System and UniChiller RC are registered trademarks of Unico, Inc.

Water.  
It cools.  
It heats.

What a refreshing idea.



Introducing the UniChiller RC™  
The Reverse Cycle Cooling and Heating System

**UniChiller RC™**  
HEATS & COOLS

## The UniChiller RC™ Outdoor Heating & Cooling Unit



**REVERSE CYCLE CHILLER  
PROVIDES BOTH HOT & COLD WATER  
FOR TOTAL INDOOR COMFORT**

Unico, Inc. introduces a refreshing idea in residential heating and air conditioning, the UniChiller RC outdoor heating and cooling unit. Utilizing the environmentally friendly efficiency of water, the UniChiller RC provides chilled water for cooling and also reverse cycles to provide hot water for heating, giving the end-user the very best in indoor comfort.

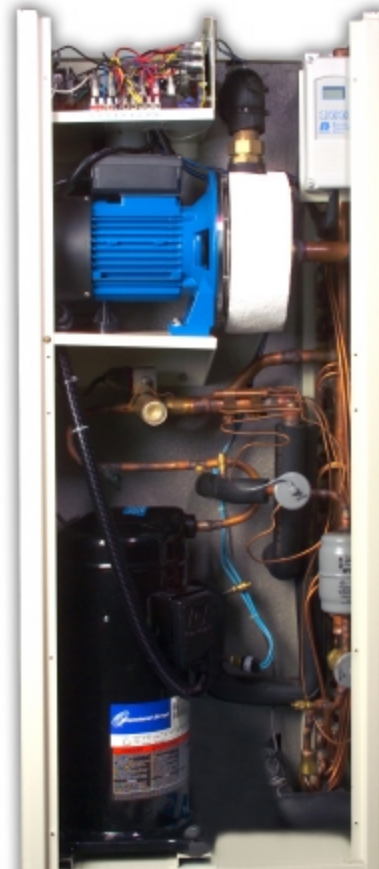
Because it uses water as the cooling/heating medium, the UniChiller RC can be located at remote distances from the structure to be conditioned. This allows valuable space near the home or commercial structure to be utilized for other purposes and eliminates the impact of the unit's location on the overall aesthetics of the building. And since all refrigerant used in the unit is completely sealed and not circulated to the conditioned space, there is no danger of environmentally harmful materials escaping and the system never needs to be recharged.

The UniChiller RC includes fans with a swept-wing configuration — which ensures quiet operation. In fact, the UniChiller RC is much quieter than conventional outdoor condensing units. And unlike conventional condensing units and chillers, the UniChiller RC includes a side fan discharge rather than a top fan discharge.

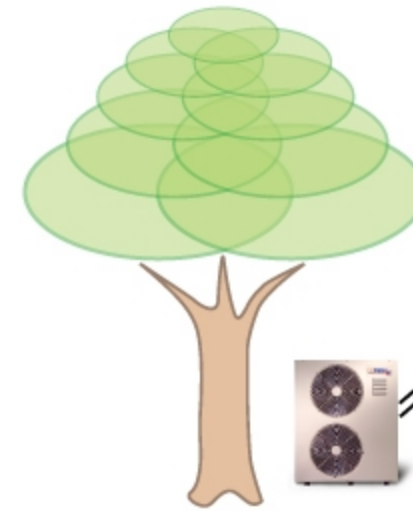
The UniChiller RC also provides for zoning of multiple conditioned areas, allowing for multiple air handling units to be run in conjunction with one outdoor unit. This also means that valuable footprint space is not cluttered with multiple outdoor condensing units. However, for larger residential and/or commercial projects, the UniChiller RC can be banked with multiple chiller units to provide the cooling and heating loads necessitated by larger projects.

### FEATURES

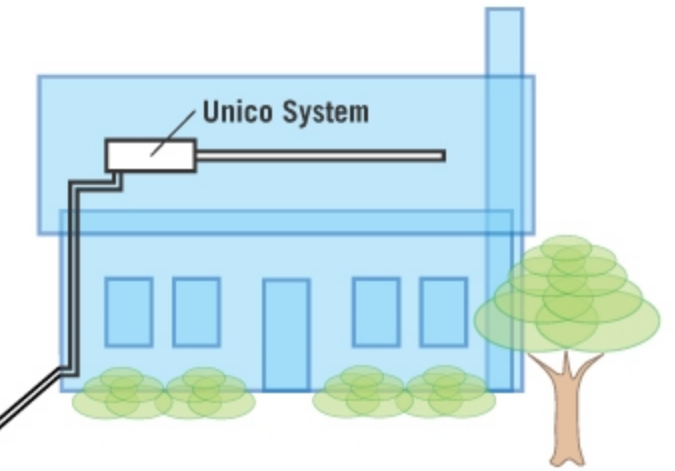
- Reverse Cycle Operation*
- Swept-wing Fan Construction*
- Side Fan Discharge*
- Sealed Refrigerant System*
- Stainless Steel Pump*
- Low Maintenance*
- Minimal Footprint*
- Long-lasting Protective Finish*



Contractors also find the UniChiller RC a welcome change. Because it's a sealed system and factory charged, it can be installed quickly and easily in the field and never requires further field charging. And it's been specifically designed to make maintenance and repair simple, with a stainless steel pump for longevity and error-free operation.



**UniChiller RC™**



Obviously, it takes a forward-thinking company to bring you such a design. So, it's no surprise that the UniChiller RC is made by Unico, Inc., maker of the Unico System, the mini-duct central heating and air conditioning system. Unico, Inc.'s dedication to better products through better technology has earned it a reputation as the innovator in central heating and cooling systems.

### BENEFITS

- Heats as Well as Cools*
- Unlimited Remote Location*
- Quiet Operation*
- No Refrigerant in the Conditioned Space*
- Allows for Multiple Air Handlers (Zones)*
- Can be Banked with Multiple Chiller Units*
- Highly Efficient*

